

PHILIPS

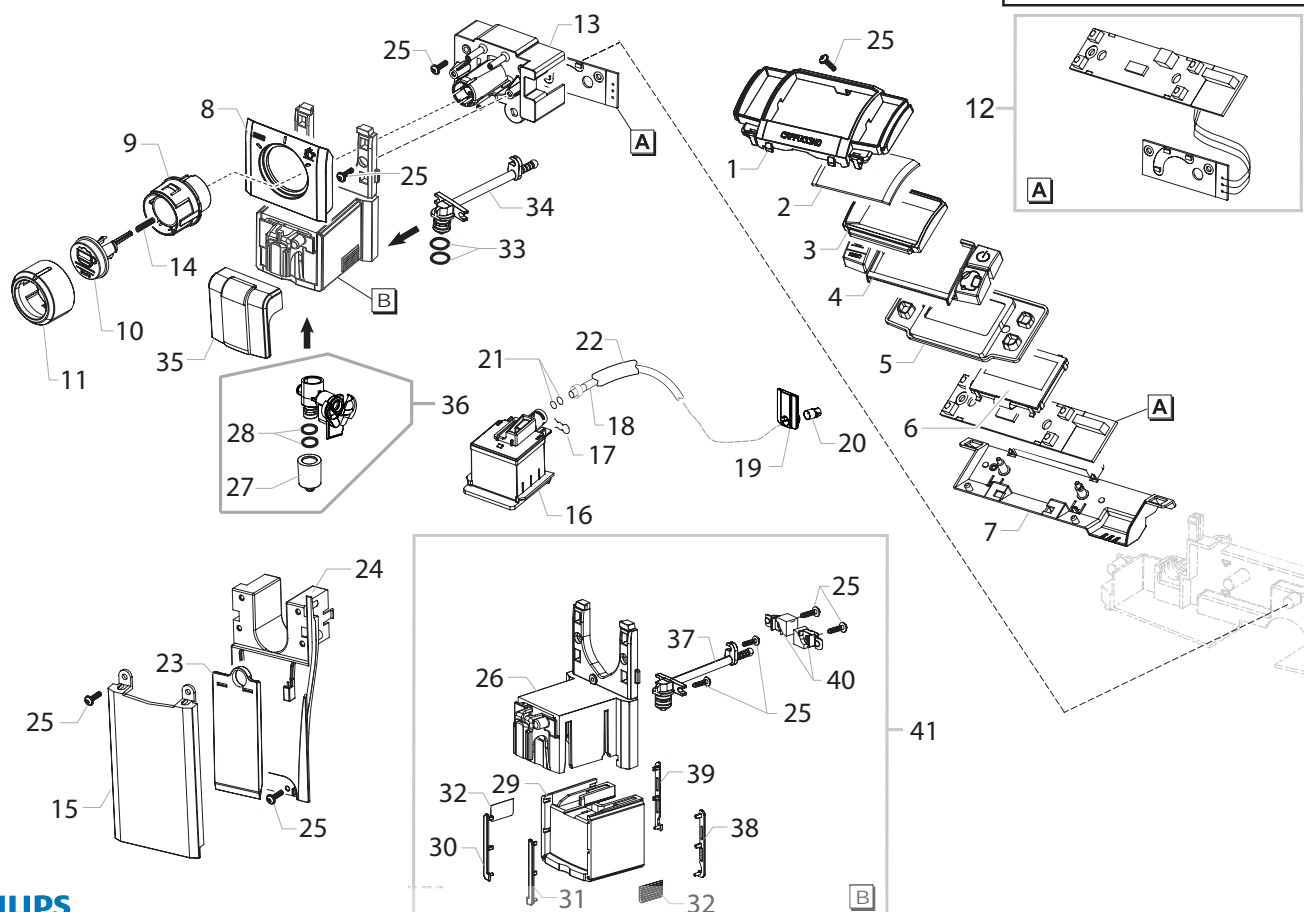
Saeco

Type HD8838-HD8839  
SUP 037DRJ



Cod.10003326-27-10003560-98-10003762  
Cod.10003768-69-10003824-79- 10003929-89

POS	CODE	DESCRIPTION	NOTE	POS	CODE	DESCRIPTION	NOTE
01	11005044	SAECO KLUBER TRIBOSTAR SIL 2 TUBE 5GR.		18	11025278	RED CASING LEFT SIDE XSM ASSY.	
02	15002361	MANUAL PSA SUP037DRJ XSMC IT		19	11012708	BLACK CASING BOTTOM INSERT XSM	
	15002362	MANUAL PSA SUP037DRJ XSMC DE		20	11022419	SAT.MET/GREY CASING BOTTOM COVER XSM	
	15002363	MANUAL PSA SUP037DRJ XSMC GB		21	17000432	BLACK CASING BOTTOM XSMC	
	15002364	MANUAL PSA SUP037DRJ XSMC FR		22	17001066	SS GRATE FOR DRIP TRAY XSMC ASSY.	
	15002365	MANUAL PSA SUP037DRJ XSMC ES		23	11013184	RED FLOAT FOR DRIP TRAY XSM	
	15002366	MANUAL PSA SUP037DRJ XSMC PT		24	11024405	SAT.MET/GREY DRIP TRAY XSMC ASSY.	
	15002367	MANUAL PSA SUP037DRJ XSMC NL		25	11012725	NAT/GREY BEAN COFFEE CONTAINER LID XSM	
	15002368	MANUAL PSA SUP037DRJ XSMC SV		26	11012724	NATUR/GREY BEAN CONTAINER XSM	
	15002369	MANUAL PSA SUP037DRJ XSMC NO		27	11012642	BLACK COFFEE GRINDER PLATE XSM	
	15002370	MANUAL PSA SUP037DRJ XSMC FI		28	11013709	3POLES CONNECTOR WATER LEVEL XSM UL	
	15002371	MANUAL PSA SUP037DRJ XSMC DA		29	11000651	WATER LEVEL SENSOR BOARD P124	
	15002372	MANUAL PSA SUP037DRJ XSMC GR		30	12000450	SCREW TCB TORX 10 3,5X12 PLAST.ZN-N	
	15002373	MANUAL PSA SUP037DRJ XSMC PL		31	11012709	BLACK DUMP BOX XSM	
	15002374	MANUAL PSA SUP037DRJ XSMC RU		32	11012716	SS DOOR RIGHT SIDE XSM ASSY.	
	15002375	MANUAL PSA SUP037DRJ XSMC UA			11013161	BLACK DOOR RIGHT SIDE XSM ASSY.	
	15002376	MANUAL PSA SUP037DRJ XSMC HU			11025279	RED DOOR RIGHT SIDE XSM ASSY.	
	15002377	MANUAL PSA SUP037DRJ XSMC CS		33	11012713	BLACK HINGE FOR DOOR RIGHT SIDE XSM	
	15002378	MANUAL PSA SUP037DRJ XSMC SK		34	11012714	BLACK HINGE FOR REAR CASING XSM	
	15002379	MANUAL PSA SUP037DRJ XSMC RO		35	NE03.038	BIPOLAR SWITCH FUSIT C1250AR	
	15002380	MANUAL PSA SUP037DRJ XSMC BG		36	NE05.013	MICROSWITCH	
	15002381	MANUAL PSA SUP037DRJ XSMC CR		37	17000431	COFFEE GRINDER SOUNDPROOFING COVER XSMC	
	15002382	MANUAL PSA SUP037DRJ XSMC SL		38	11013109	BLACK REAR CASING+SS INSERT XSM ASSY.	
	15002383	MANUAL PSA SUP037DRJ XSMC SR		39	11013704	TRANSPARENT COVER INFRAREDS ACCESS XSM	
	15002705	MANUAL PSA SUP037DRJ XSMC KOR		40	149213000	TRANSP.CAP FOR KNOBS BEAN CONTAINER	
	15002741	MANUAL PSA SUP037DRJ XSMC SA		41	120350604	SHAFT 6 UNI 7434	
	15002747	MANUAL PSA SUP037DRJ XSMC CHN		42	11012301	BLACK PWR/CPU BOARD PROTECTION P0057	
	15002748	MANUAL PSA SUP037DRJ XSMC TVN		43	11022890	CPU+SW P0057 XSMC ASSY.	230V
03	147622800	TRANSPARENT SILICONE FOOT				UP TO S.N. TU901108026188	
04	183911050	BLACK POWER CABLE SCHUKO L=1200			11026670	AS.CPU+SW P0057-XSMC V3	230V
	183930650	PO.CABL.CH BLACK 3X1 H05VV-F L=1200				FROM S.N. TU901108026189	
	183940650	BLACK POWER CABLE AUSTRALIA L=1200			11026601	AS.CPU+SW P0057-XSMC	120V
	11001985	BLACK POWER CABLE KOREA 3X1 L=1200		44	20006893	KIT PS-E INSERT FOR BOX XSMC	
	183970350	BLK POWER CABLE 3X1 H05VV-F UK L=1200MM		45	13001270	DISPLAY BOX XSMC PSA SYNTIA CAPP WE	
	183921950	POWER CABLE SJT3 USA BLACK UL L=1200			13001271	DISPLAY BOX XSMC PSA SYNTIA CAPP CEE	
05	11013206	BLACK GRIND.ADJUSTMENT KNOB XSM			13001371	SCATOLA LIT.XSMC PSA SYNTIA CAPP USA	
06	11013160	SS WATER TANK COVER XSM ASSY.		46	146680850	BLACK COFFEE MEASURE SMART	
	11025269	RED WATER TANK COVER XSM ASSY.		47	11022065	ADHES.SILVER PLATE LOGO SYNTIA	
07	11013093	NATUR/GREY WATER CONTAINER XSM ASSY.		48	12000280	CUP SOCKET EN 60320 C 13	
08	224640200	EXTERNAL FILTER FOR WATER CONTAINER ASSY.		49	11021826	SS DUMP BOX COVER XSM ASSY.	
09	140328461	EPDM OR METRIC 0190-10			11025244	RED DUMP BOX COVER XSM ASSY.	
10	11003672	SPRING FOR WATER CONTAINER VALVE P0049		50	21001404	ACC SAE BRITA UNI.WAT.FILTERX1 EUR-ASIA	
11	11003673	GREY WATER CONTAINER VALVE INSERT P0049			21001406	ACC SAE MAVEA UNI.WAT.FILTERX1 USA	
12	11003671	TRANSP.VALVE FOR WATER CONTAINER P0049		51	129912504	SCREW TCB TORX 10 3,5X14 PLAST.ZN-N	
13	11001298	BLACK LID FOR DUCKBILL VALVE P0049		52	0301.961	STICKER FOR WATER HARDNESS TEST	
14	17000225	SS UPPER CASING COVER XSMC ASSY.		53	11007605	2POLES CONNECTOR SENSOR REED DOOR G0053	
	11025816	RED UPPER CASING COVER XSMC ASSY.		54	17000064	BLACK CAPACITIVE SENSOR INSERT XSM	
15	11025026	PIAST.ADES.C/LOGO PHILIPS-SAECO ARG.		55	129913202	SCREW TCB TORX 10 3X8 PLAST.ZN-B	
16	17000673	BLACK DRIP TRAY COVER XSMC					
17	11013102	NATUR/GREY GROUND COFFEE HOPPER LID XSM					
18	11012727	SS CASING LEFT SIDE XSM ASSY.					
	11013107	BLACK CASING LEFT SIDE XSM					



PHILIPS

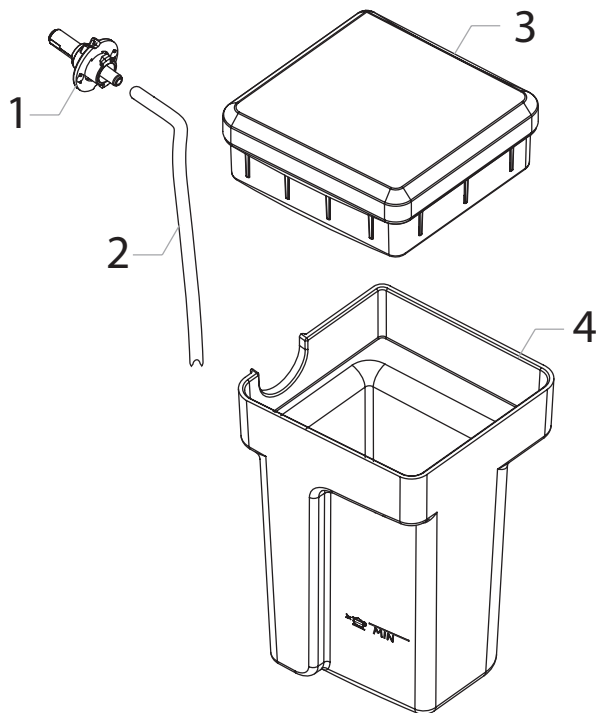
Saeco

Type HD8838-HD8839  
SUP 037DRJ



Cod.10003326-27-10003560-98-10003762  
Cod.10003768-69-10003824-79- 10003929-89

POS	CODE	DESCRIPTION	NOTE	POS	CODE	DESCRIPTION	NOTE
01	17000388	CHROM.TOUCH PANEL COVER S/SCR.XSMC		37	17000311	DIFFUSER STEAM OUTPUT CONNECTXSMC ASSY.	COMPLETE
02	17000480	VETRINO DISPLAY V2 XSM/H TRASP.		38	17000321	BLK COFF.DISPENS.LEFT REAR INSERT XSMC	
03	11012700	BLACK DISPLAY FRAME XSM/H		39	17000322	BLK COFF.DISPENS.RIGHT REAR INSERT XSMC	
04	11024490	CHROM.TOUCH PANEL S/SCR.XSMC		40	17000323	BLK COFF.DISPENSER MOBILE PART SLIDE XSMC	
05	11012698	BLACK DISPLAY SEAL XSM/H		41	20006932	SPARES KIT CHRO.COFF.DISPENSER SUPP.XSMC	COMPLETE
06	20006981	KIT SPAR.CPU+SW W/DISPL.P0057-XSMC UP TO S/N TU901108026188	OR ORDER DISPLAY 12001612 AND UPDATE SW (V.05.12.04) IN SSC				
	12001612	DISPLAY CMG122647Z01ZBW XSM/H FROM S/N TU901108026189					
07	11012699	BLACK DISPLAY SUPPORT XSM/H					
08	17000306	CHROM.CAPPUC.COVER FRONT PLATE SSC.XSMC					
09	17000243	BLACK CONTROL KNOB XSMC ASSY.					
10	17000254	CHROM.CAPPUCCINO BUTTON S/SCR.XSMC ASSY.					
11	11024190	CHROM.CONTROL KNOB COVER XSMC					
12	11023317	INTERFACE BOARDS +UL CABLES XSMC ASSY.					
13	17000301	BLACK KNOB ELECTR.BOARD SUPPORT XSMC					
14	11003672	SPRING FOR WATER CONTAINER VALVE P0049					
15	11013096	CHROMED FRONT PLATE XSM					
16	17000316	BLACK COFFEE DISPENSER XSMC ASSY.					
17	9011.144	SS FORK FOR TUBE D.4					
18	11004132	TEFLON TUBE 2X4 L=250 MM ASSY					
19	11005100	PLATE FOR 4X2 TEFLON TUBE P124					
20	11005101	BUSH FOR 4X2 TEFLON TUBE P124					
21	140328059	OR 2015 IN SILICONE PTFE/FDA					
22	149361200	BLACK SILICONE TUBE 7,5X9,3	IN ROLL				
23	17000308	BLK COFF.DISPENSER MOBILE PART SUPP.XSMC					
24	11012707	BLACK FRONT PANEL SUPPORT XSM					
25	12000450	SCREW TCBR TORX 10 3,5X12 PLAST.ZN-N					
26	11023638	CHROMED COFFEE DISPENSER SUPPORT XSMC					
27	17000309	DIFFUSER XSMC					
28	12001520	OR ORM 0060-20 IN EPDM					
29	11023626	CHROM.COFFEE DISPENSER MOBILE PART XSMC					
30	17000414	BLK COFF.DISPENS.LEFT FRONT INSERT XSMC					
31	17000413	BLK COFF.DISPENS.RIGHT FRONT INSERT XSMC					
32	11021751	ADHES.CHR.PLATE FOR COFFEE DISPENSER XSM					
33	NM02.029	OR ORM 0080-20 EPDM FDA					
34		<b>PARTICULAR NOT AVAILABLE</b>	SEE PART.N°37				
35	17000217	CHROM.CAPPUCCINATORE COVER XSMC ASSY.					
36	17000310	DIFFUSER XSMC ASSY.	COMPLETE				



PHILIPS

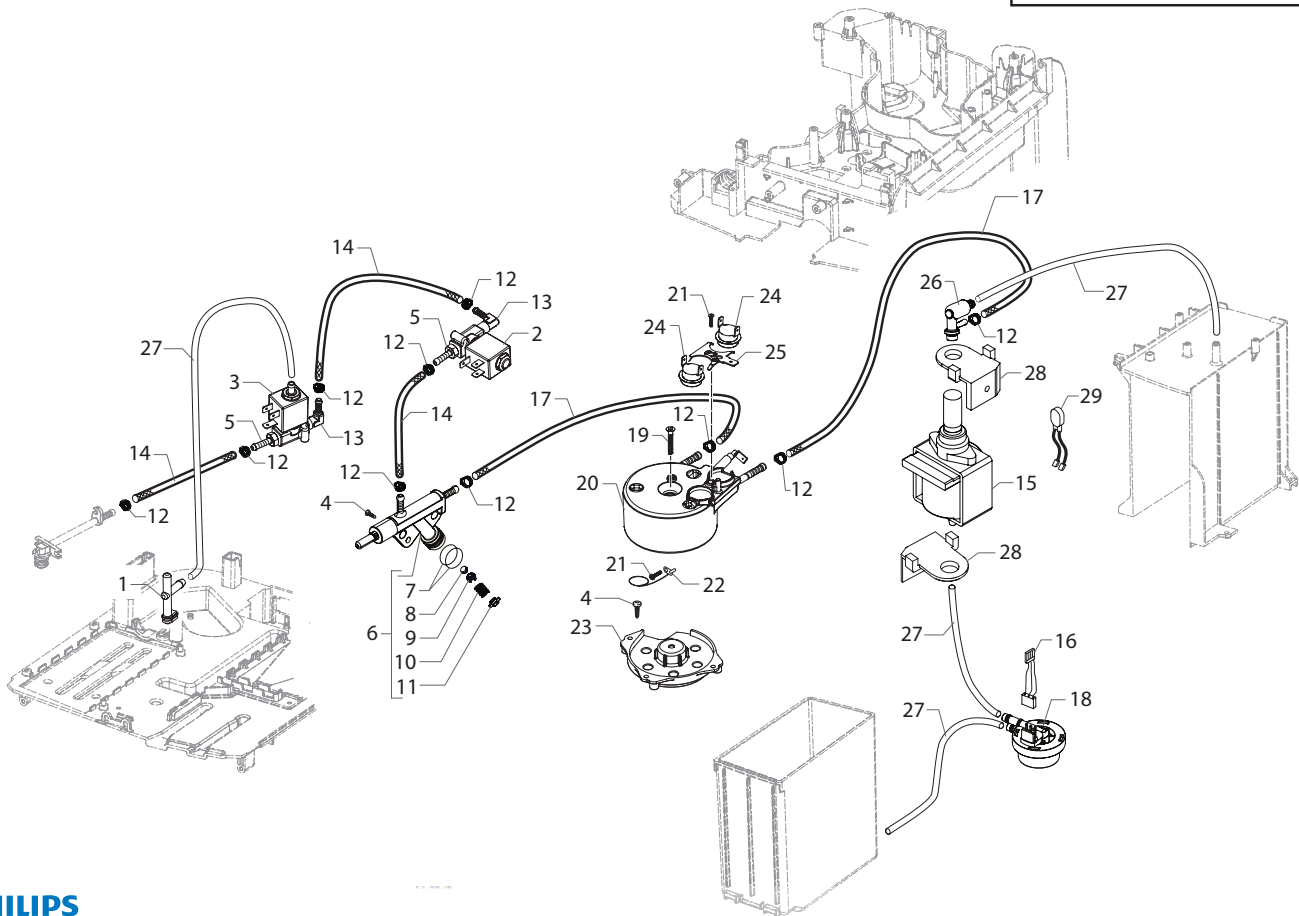
**Saeco**

**Type HD8838-HD8839**  
SUP 037DRJ



Cod.10003326-27-10003560-98-10003762  
Cod.10003768-69-10003824-79- 10003929-89

POS	CODE	DESCRIPTION	NOTE	POS	CODE	DESCRIPTION	NOTE
01	17000300	CARAFE INSERT XSMC					
02	11024528	SILICONE TUBE 3,5X6 L=185 MM					
03	17000458	BLACK CARAFE COVER XSMC					
04	17000298	TRANSP.CARAFE XSMC					



PHILIPS

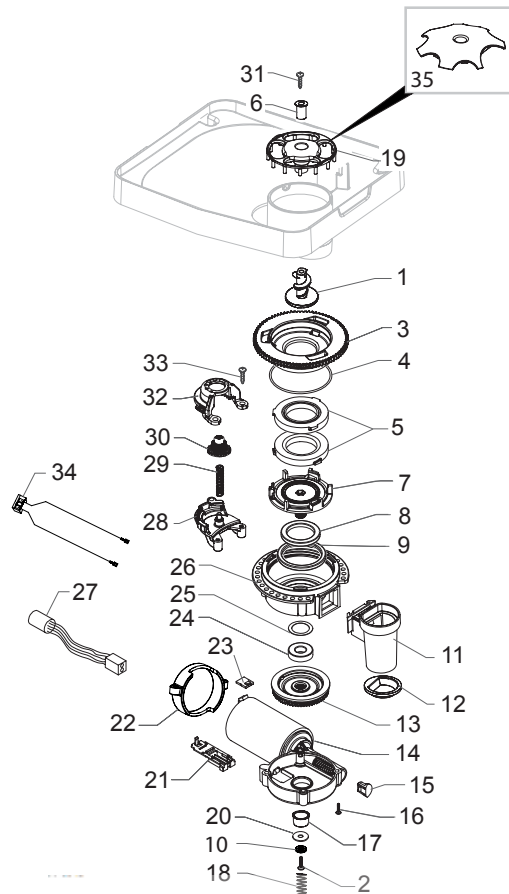
Saeco

Type HD8838-HD8839  
SUP 037DRJ



Cod.10003326-27-10003560-98-10003762  
Cod.10003768-69-10003824-79- 10003929-89

POS	CODE	DESCRIPTION	NOTE	POS	CODE	DESCRIPTION	NOTE
01	17000980	DESCARGING WATER CONNECTOR XSMC					
02	11024038	2WAY EV OT57 (21JN1RRV20-XT+LBV05024CU)					
03	11024039	3WAY EV OT57 (31JN1XRV20-SXT+LBV05024CU)					
04	12000450	SCREW TCB TORX 10 3,5X12 PLAST.ZN-N					
05	11003348	BRASS CONNECTOR FOR ALUM.BOILER					
06	11012381	FLOW SELECTOR FAUCET V2 P0057					
07	12000893	BLACK OR METRIC 0120-20 IN EPDM					
08	11008104	MUSHROOM VALVE FOR FLOW SELECTOR P0057					
09	11008105	SUPPORT VALVE FOR FLOW SELECTOR P0057					
10	11008077	SPRING FOR VALVE FLOW SELECTOR P0057					
11	11008106	VALVE CAP FOR FLOW SELECTOR P0057					
12	12000892	OETIKER CLAMP D=9,5 16700004					
13	11024469	LEADFREE BRASS CONNECTOR FOR BOILER AUJRA					
14	16000719	BLK LINE 5X8,9 SILICONE TUBE	IN ROLL				
15	12000140	ULKA PUMP EP5/S GW	230V-60HZ				
	12000182	ULKA PUMP EP5/S GW	220V-60HZ				
	12000142	ULKA PUMP EAP5/S	120V-60HZ				
16	11005948	3POLES CONNECTOR FLOWMETER P0057					
17	16000380	5X8,9 SILICONE TUBE	IN ROLL				
18	NV99.099	TURBINE D=1,2 932-8521/00 ASSY.					
19	12001369	SCREW TSP TORX 10 5X35 PLAST.SS					
20	11013735	SLIM TUB.BOILER ASSY.	230V -1300W				
	11023153	AS.CALD.TUB.SLIM	120V - 1300W				
21	12001715	SCREW TCB TORX 20 M4X8 AUTOFORMING ZN-B					
22	190800100	TEMPERATURE SENSOR NTC UL L=280MM					
23	11022791	BLACK SLIMEXSL BOILER SUPPORT					
24	12001033	THERMOSTAT ONE SHOT 190°					
25	11001751	THERMOSTATES SPRING FOR BOILER					
26	11004689	TEA/BRASS SAFETY VALVE 16-18 BAR ASSY.					
27	JS01.022	SILICONE TUBE 5X10 60 SHORE	IN ROLL				
28	149205850	BLACK PUMP SUPPORT TYPE ULKA					
29	11009747	2POLES CONNECTOR PUMP P0057 UL					
	11026683	SLIM TUB.BOIL.STD C1 T190° 1300W 230V ASSY					
	11026684	SLIM TUB.BOIL.STD C1 T190° 1300W 120V ASSY WITH PART.N°20-21-22-24-25					



PHILIPS

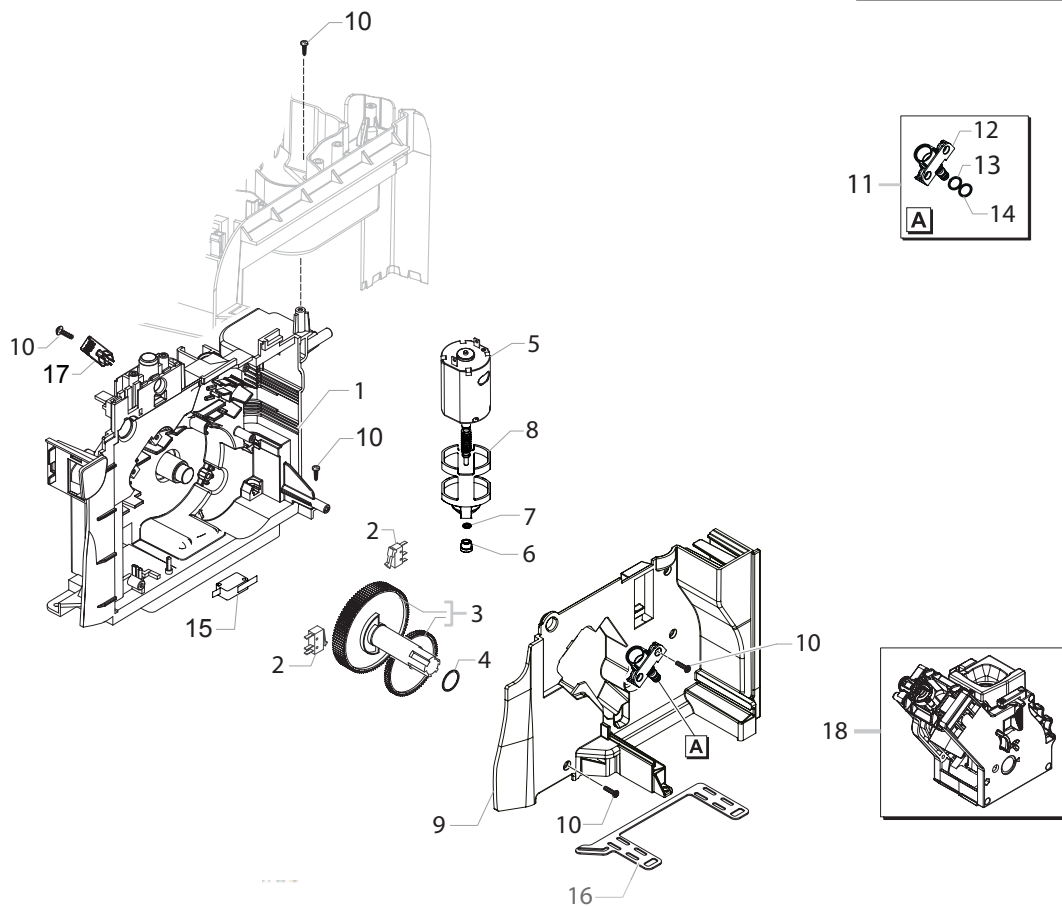
Saeco

Type HD8838-HD8839  
SUP 037DRJ



Cod.10003326-27-10003560-98-10003762  
Cod.10003768-69-10003824-79- 10003929-89

POS	CODE	DESCRIPTION	NOTE	POS	CODE	DESCRIPTION	NOTE
01	11010031	TEA/ZAMA INCREASE SCREW GRINDER					
	11024208	TEA SHORT ZAMA INCREASE SCREW GRINDER	USA UL				
02	129574802	SCREW TCB TORX 20 M4X30 ZN-B					
03	149198250	UPPER GRINDER SUPPORT COFFEEGRINDER					
04	140328960	NBR FDA OR METRIC 0530-15					
05	146520100	BAKED CLAY GRINDER 48X28					
06	11012466	BRASS BUSH BEAN CONT.FINGER PROTEC.P0057					
07	149198350	LOWER GRINDER SUPPORT COFFEEGRINDER					
08	123030300	AXIAL BEARING EKKO 342.35252					
09	140360500	FELT RING 45,4X39,4X4					
10	128310402	GALV.WASHER UNI 8842.A4					
11	11026355	BLK GROUND COFFOUTLET CONVEYOR V4 ASSY.					
12	145854462	GROUND COFFEE CONT.SEAL LOWER SMART1					
13	226000300	GEAR SX Z=38 FOR GRINDER MOTION ASSY.					
14	11000513	MOTOR COFFEEGRINDER/V3.1 ASSY.	230V				
	11000511	MOTOR COFFEEGRINDER V3.1 ASSY.	120V				
15	149214800	CAP FOR WORM SCREW MC/V3 CENTRING					
16	129661702	SCREW TCB TORX 3,5X30 PLAST.ZN-B					
17	11002873	INSULATOR BUSH FOR GRINDER MOTOR P124					
18	11000597	COFFEE GRINDER SUPPORT SPRING P124					
19	11014285	BLK V2 BEAN CONTAIN.FINGER PROTECT.P0057					
20	128381902	GALVAN.FLAT WASH.DI=4,3 DE=14 SP=1,5					
21	149199050	SENSOR SUPPORT FOR COFF.GRIND.MOTOR					
22	11000194	BLACK GRINDER MOTOR SUPPORT P124					
23	181540900	ELECTRONIC BOARD WITH SENSOR HAL506					
24	123030200	RADIAL BEARING 61900.2RS1					
25	128381800	CRINKLE WASHER 21,8X15,8X0,2					
26	142905450	UPPER BODY WITH COFFE.GROUND OUTLET					
27	11008871	3 POLES CONNECTOR MC SENSOR S0053 UL					
28	11002613	LOWER GEAR SUPPORT COFFEEGRINDER P124					
29	11002572	GRINDER REGULATION SPRING P124					
30	11003784	COFFEE GRINDING ADJUSTMENT GEAR P0049					
31	U043.004	ZN-B TCB SCREW M4X16					
32	11002508	UPPER GEAR SUPPORT COFFEEGRINDER P124					
33	129914002	SCREW TCB TORX 10 3,5X16 PLAST.ZN-B					
34	11008869	2POLES CONNECTOR GRINDER MOTOR S0053					
35	11022841	TRANS.BEAN CONTAIN.FINGER PROTECTXSM UL	USA UL				
	11006059	GENERAL MOTOR MC P0057 STD. ASSY.	230V				
	11024242	GEN.MOTOR COF.GRINDER V3 P0057 ASSY	120V				



PHILIPS

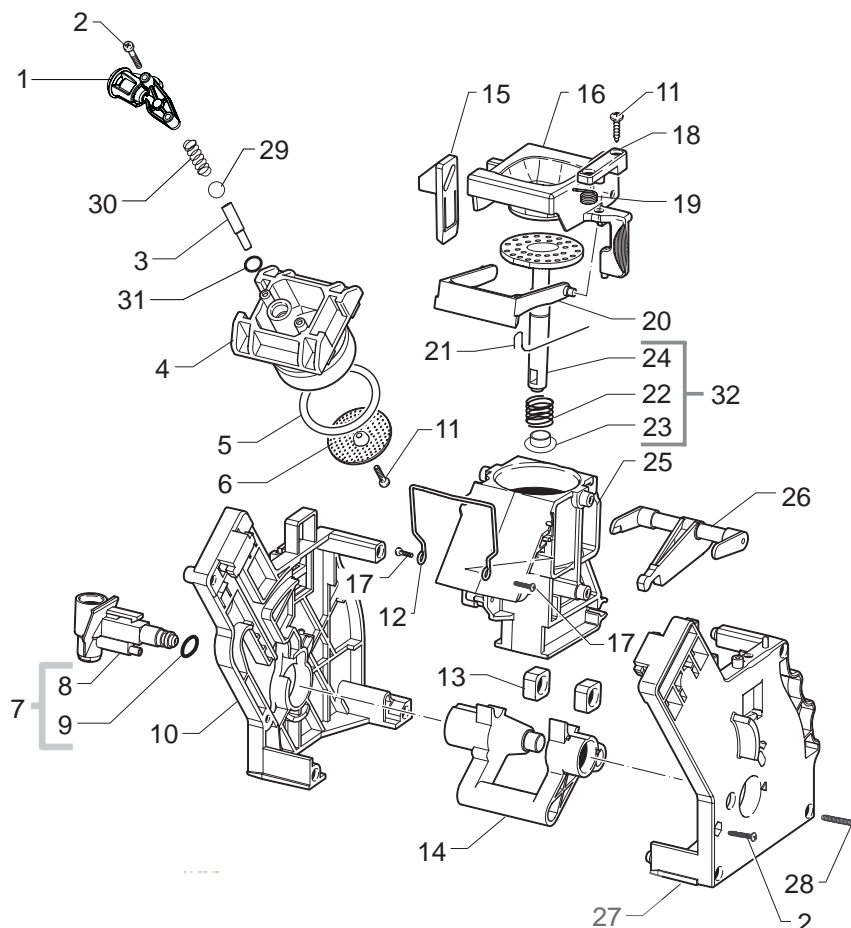
Saeco

Type HD8838-HD8839  
SUP 037DRJ



Cod.10003326-27-10003560-98-10003762  
Cod.10003768-69-10003824-79- 10003929-89

POS	CODE	DESCRIPTION	NOTE	POS	CODE	DESCRIPTION	NOTE
01	17000366	BLK RATIOMOTOR MOUNTING PLATE XSMC ASSY.					
02	NE05.038	MICROSWITCH					
03	20000900	SPARES KIT GEARS FOR RATIOMOTOR V2					
04	9161.132	MYLAR WASHER FOR RATIOMOTOR					
05	11003037	MOTOR FOR RATIOMOTOR ASSY.					
06	9121.046	SINTERED BUSH FOR MOTOR					
07	148380200	WASHER BAKELIZZATE D=5,5					
08	9121.044	ANTIVIBRATION FOR MOTOR					
09	11003754	BLACK COVER FOR MOUNTING PLATE P0057					
10	12000450	SCREW TCBR TORX 10 3,5X12 PLAST.ZN-N					
11	11013531	PIN FOR FLOW SELECTOR FAUCET P0057 ASSY.					
12	11013530	V2 PIN FOR FLOW SELECTOR FAUCET P0057					
13	NM01.035	OR ORM 0090-20 SILICONE					
14	NM01.057	OR ORM 0050-20 SILICONE					
15	NE05.013	MICROSWITCH					
16	11013205	SEAL FOR RATIOMOTOR PLATE XSM					
17	17000064	BLACK CAPACITIVE SENSOR INSERT XSM					
18	11012382	BLACK BREW UNIT 8GR.5BAR P0057 SEE EXP.CODE E90067 NEXT PAGE					



SUP031-033-037



Cod. 11012382

POS	CODE	DESCRIPTION	NOTE	POS	CODE	DESCRIPTION	NOTE
01	11009362	BLACK COFFEE OUTLET SLEEVE S0053 ASSY.					
02	12000550	SCREW TCB TORX 10 3X25 PLAST.SS					
03	11009276	TUBE FOR COUNTER PISTON BREW UNIT S0053					
04	11001840	BLACK COUNTER PISTON BREW UNIT 8GR.P124					
05	NM01.044	OR ORM 0320-40 SILICONE PTFE/FDA					
06	9161.268	PERCOLATOR DE=35,8 ELFO					
07	20000440	BLACK SPARE SLEEVE UNIT					
08	9161.064.050	BLACK WATER INLET SLEEVE BREW UNIT					
09	NM02.007	OR 2025 TERMOIL					
10	9161.375.050	BLACK REAR PLATE FOR BREW UNIT SMART					
11	12000895	SCREW TSP TORX 10 3X10 PLAST.SS					
12	11001556	SPRING H=49 FOR COFFEE BREW UNIT SMART					
13	9161.094.150	GREY DRILLED BLOCK BREW UNIT					
14	9161.066.050	ELBOW SHAFT FOR UNIT BLACK					
15	9161.373.050	BLACK COUPLING PLATE BREW UNIT SMART					
16	149261350	BLACK HOPPER DOSER BREW UNIT SMART1					
17	129912521	SCREW TCB TORX 10 3,5X14 PLAST.SS					
18	9161.374.050	BLACK HOPPER BLOCKING PLATE UNIT SMART					
19	9161.378	SPRING HOPPER SMART BREW UNIT					
20	11004161	BLACK SCRAPER FOR COFFEE UNIT					
21	9161.046	SPRING FOR UNIT SCRAPER					
22	9161.198	PISTON SPRING BREW UNIT M5000					
23	9161.191	NEUTRAL PISTON BUSH BREW UNIT M5000					
24	11003077	BLACK INTEGRAL PISTON UNIT P124 8GR.ASS					
25	11003075	BLACK COFFEE CONTAINER BREW UNIT P124	WITH PART. N° 12				
26	11003078	BLACK CONNECTING ROD FOR UNIT P124 8GR.					
27	11005920	BLACK FRONT PLATE BREW UNIT SMART S.SCR.					
28	12000897	SCREW TCB TORX 10 3,5X20 PLAST.SS					
29	9991.168	GLASS SPHERE D.5MM					
30	11012095	SPRING FOR COUNTERPISTON UNIT S0053					
31	140328761	OR METRIC 0060-15 IN TERMOIL					
32	11023086	BLK 8GR.BREW UNIT NTEGR.PISTON GEN.ASSY.					
	11012382	BLACK BREW UNIT 8 GR.5 BAR S0053					



BLACK BREW UNIT 8 GR.5 BAR

TABLE 1/1